

# AXIOM FLY REAR DELT

OP-FLY

## Parts Manual

2/5/2024 23:49:42 PM



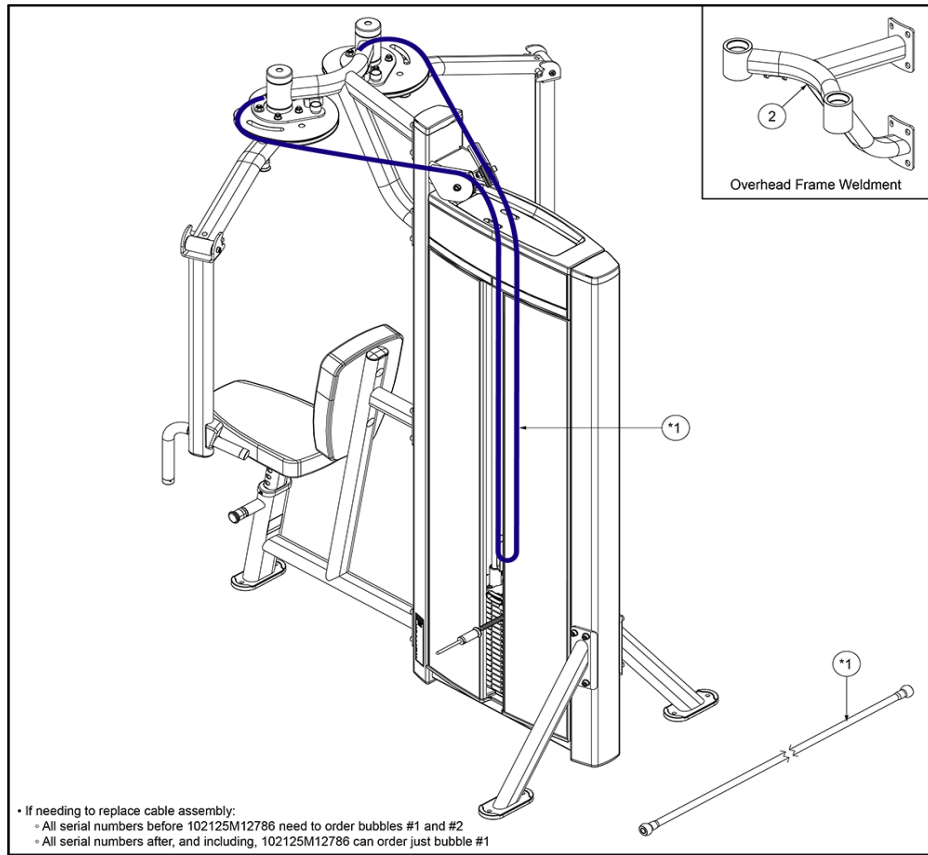
**Table of Contents**

---

<a href="#">OP-FLY Cable Assembly.....</a>	<a href="#">3</a>
<a href="#">OP-FLY Cam Assemblies.....</a>	<a href="#">4</a>
<a href="#">OP-FLY Cap and Shroud Assembly.....</a>	<a href="#">5</a>
<a href="#">OP-FLY Hardware Pack.....</a>	<a href="#">6</a>
<a href="#">OP-FLY Headplate Assembly - 16 Plate.....</a>	<a href="#">8</a>
<a href="#">OP-FLY Head Plate Pulley Assembly.....</a>	<a href="#">9</a>
<a href="#">OP-FLY Increment Weight Assembly - 16 Plate.....</a>	<a href="#">10</a>
<a href="#">OP-FLY Left Work Arm Assembly.....</a>	<a href="#">11</a>
<a href="#">OP-FLY Overhead Frame Assembly.....</a>	<a href="#">12</a>
<a href="#">OP-FLY Right Work Arm Assembly.....</a>	<a href="#">13</a>
<a href="#">OP-FLY Seat Frame Assembly.....</a>	<a href="#">14</a>
<a href="#">OP-FLY Seat Post Assembly.....</a>	<a href="#">15</a>
<a href="#">OP-FLY Shroud Hardware Pack.....</a>	<a href="#">16</a>
<a href="#">OP-FLY Stability Leg Assemblies.....</a>	<a href="#">17</a>
<a href="#">OP-FLY Tower Assembly.....</a>	<a href="#">18</a>
<a href="#">OP-FLY Tower Hardware Pack.....</a>	<a href="#">19</a>
<a href="#">OP-FLY Weight Stack Assembly - 16 Plate.....</a>	<a href="#">20</a>

\*\* Upholstery & Frame Colors are listed at the end of the Parts Manual \*\*

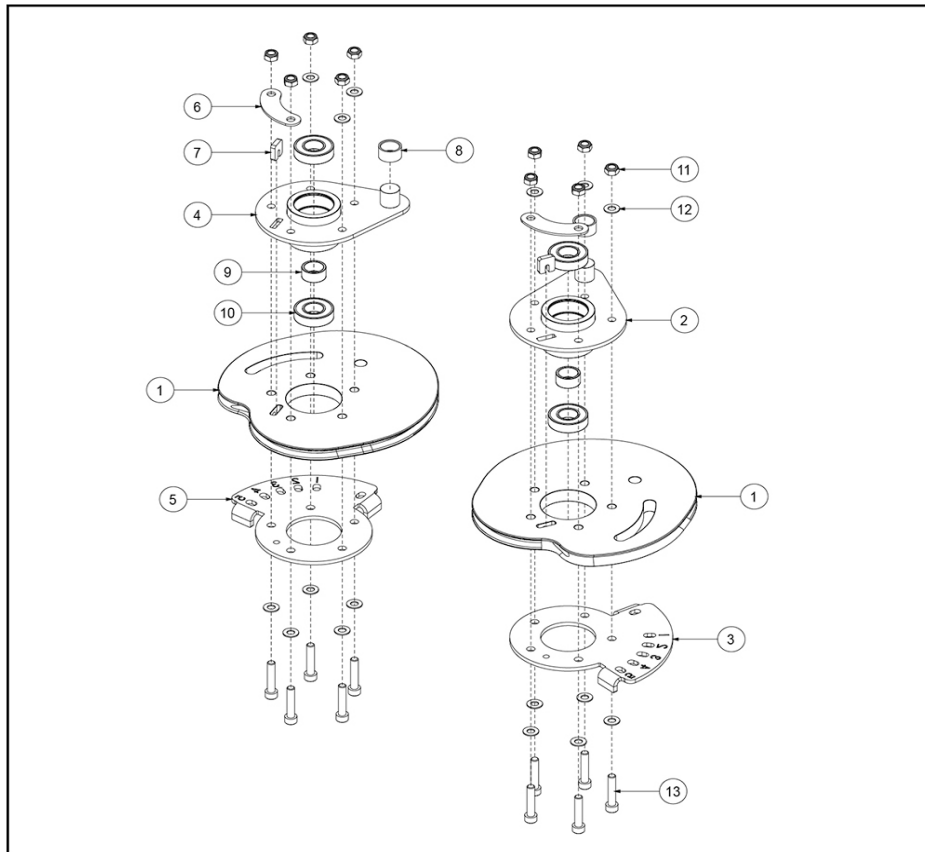
# OP-FLY Cable Assembly



Ref #	Part Number	Qty	Description
1	1019172-0001	1	ASSEMBLY: CABLE, T2, 3/16" OD
2	1019168-0000	1	WELDMENT: OVERHEAD FRAME, OP-FLY, Custom

\*\* Upholstery and Frame Colors are list at the end of the Parts Manual \*\*

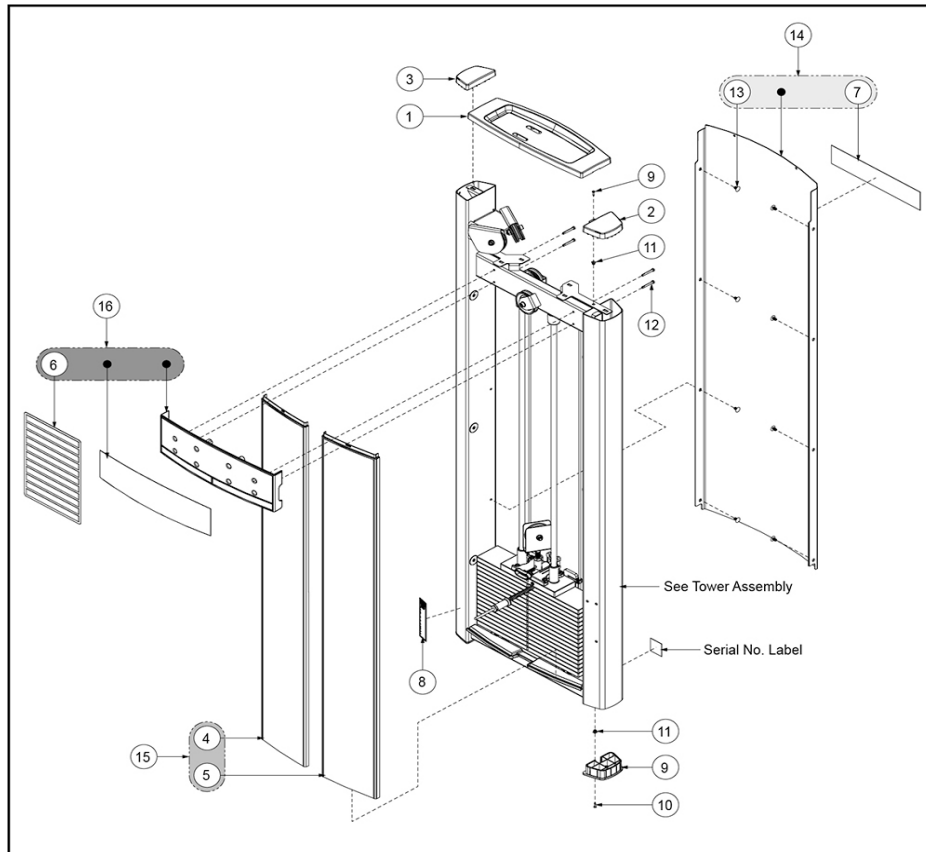
**OP-FLY Cam Assemblies**



Ref #	Part Number	Qty	Description
1	1014029-0001	2	CAM: FLY
2	1014026-0028	1	ASSEMBLY: PIVOT HOUSING, LEFT, FLY -CHR
3	1014033-0001	1	SHEET: CAM DETENT PLATE, LEFT, FLY
4	1014028-0028	1	ASSEMBLY: PIVOT HOUSING, RIGHT, FLY -CHR
5	1014034-0001	1	SHEET: CAM DETENT PLATE, RIGHT, FLY
6	1015171-0001	2	PLATE: CABLE RETAINER COVER
7	1015170-0001	2	PLATE, CABLE RETAINER, OP-FLY
8	7690103	2	BUMPER, SLEEVE - 1 INCH DIA
9	7330002	2	SPACER, INTERNAL X .653
10	3235601	4	BEARING, 6205 BALL
11	3242002	10	NUT, M10 X 1.5 HEX NYLOCK
12	3102514	16	WASHER, FLAT 3/8 IN SAE ST ZN
13	3251707	10	M10 X 1.5 X 50 HXS SOC CS ST ZN

\*\* Upholstery and Frame Colors are list at the end of the Parts Manual \*\*

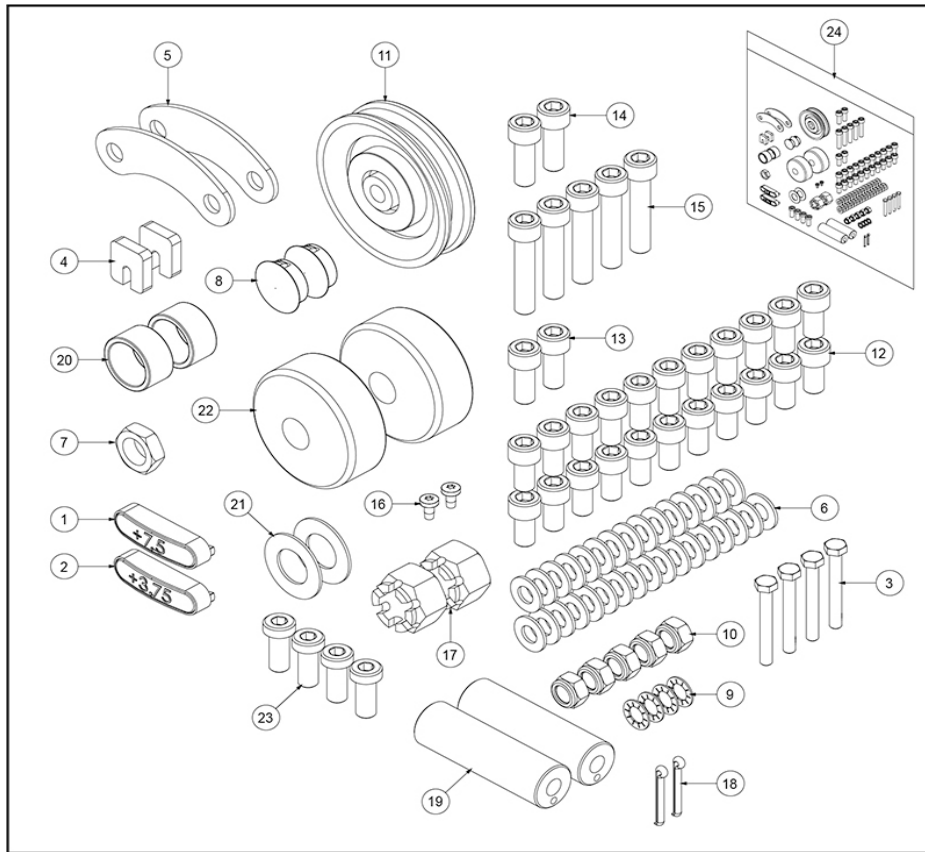
# OP-FLY Cap and Shroud Assembly



Ref #	Part Number	Qty	Description
1	1014153-0001	1	CAP: TOP, TWR, OP-FLY
2	1011749-0001	1	CAP: TRAP TUBE
3	1014032-0001	1	CAP: TRAP TUBE, MODIFIED
4	1015504-0003	1	ASSEMBLY: FRONT SHROUD, OP, SNUG FIT -LH TALL
5	1015504-0004	1	ASSEMBLY: FRONT SHROUD, OP, SNUG FIT -RH TALL
6	1013544-0006	1	DECAL: SHEET, MULTI-LINGUAL, OP-FLY
7	1008491-0001	1	LABEL, LIFE FITNESS, 16IN
8	8630801	1	LABEL, ASTM, SELECT VERT-SHEET
9	9412701	2	ASSY, TRAP TUBE, CAP -BTM
10	3275801	4	SCREW, 8 X 3/4 DIN PHL PAN AB ST ZB
11	0017-00042-1147	4	GROMMET: SCREW, 8 OR 10
12	1012381-0006	4	SCREW: M6-1, HCS, 55MM
13	1006620-0001	8	RETAINER: PANEL, 9/32 X 1/2 NYL
14	1014559-0002	1	KIT: SHROUD, REAR, OP, TALL
15	1015742-0001	1	KIT: FRONT SHROUDS, OP, TALL
16	1014549-0006	1	KIT: CAP, FRONT, OP-FLY

\*\* Upholstery and Frame Colors are list at the end of the Parts Manual \*\*

**OP-FLY Hardware Pack**

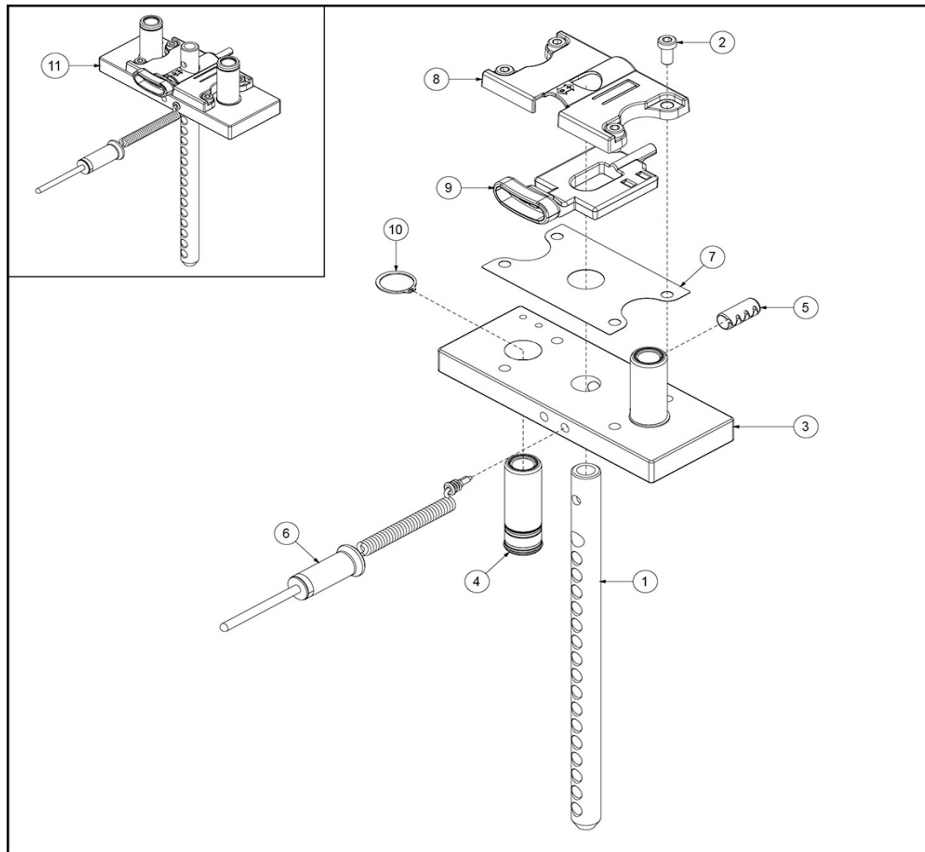


Ref #	Part Number	Qty	Description
1	1006750-0001	1	CAP, 7.5 LB INC WEIGHT - LBS
2	1006751-0001	1	CAP: 3.75 KG INC WEIGHT - KG
3	1012381-0006	4	SCREW: M6-1, HCS, 55MM
4	1015170-0001	2	PLATE, CABLE RETAINER, OP-FLY
5	1015171-0001	2	PLATE: CABLE RETAINER COVER
6	3102514	32	WASHER, FLAT 3/8 IN SAE ST ZN
7	3236902	1	NUT, HEX JAM M16 X 2 SS
8	3237407	2	PLUG, 1 IN HOLE
9	3239503	4	WSH, 391-.682-036 IN-D ST ZN
10	3242002	5	NUT, M10 X 1.5 HEX NYLOCK
11	3245702	1	PULLEY, 3.5IN OD, 10MM ID
12	3251701	22	M10 X 1.5 20 HXS SOC CS ST ZN
13	LEA3251702	2	SCREW; M10 X1.5 25MM
14	3251703	2	M10 X 1.5 30 HXS SOC CS ST ZN
15	3251707	5	M10 X 1.5 X 50 HXS SOC CS ST ZN
16	3239101	2	SCREW,M5 X .8 X 10 PHL PAN TT ST BZ
17	3271101	2	CASTLE NUT, 20 X 1.5 ZINC PLATED
18	3271202	2	COTTERPIN, 5/32 X 1.5 IN. HAMMERLOCK ZP
19	7324901	2	SHAFT, TAPPED 1 DIA X 3.330
20	7330002	2	SPACER, INTERNAL X .653
21	7351001	2	SPACER, INC WT STACK
22	8896002	2	CAP, FZFRD THREADED

Ref #	Part Number	Qty	Description
23	3236202	4	M10 X 1.5 X 25 SHCS, LOW HEAD
24	1015739-0001	1	ASSEMBLY: HARDWARE, FRAME BOX, OP-FLY

\*\* Upholstery and Frame Colors are list at the end of the Parts Manual \*\*

# OP-FLY Headplate Assembly - 16 Plate

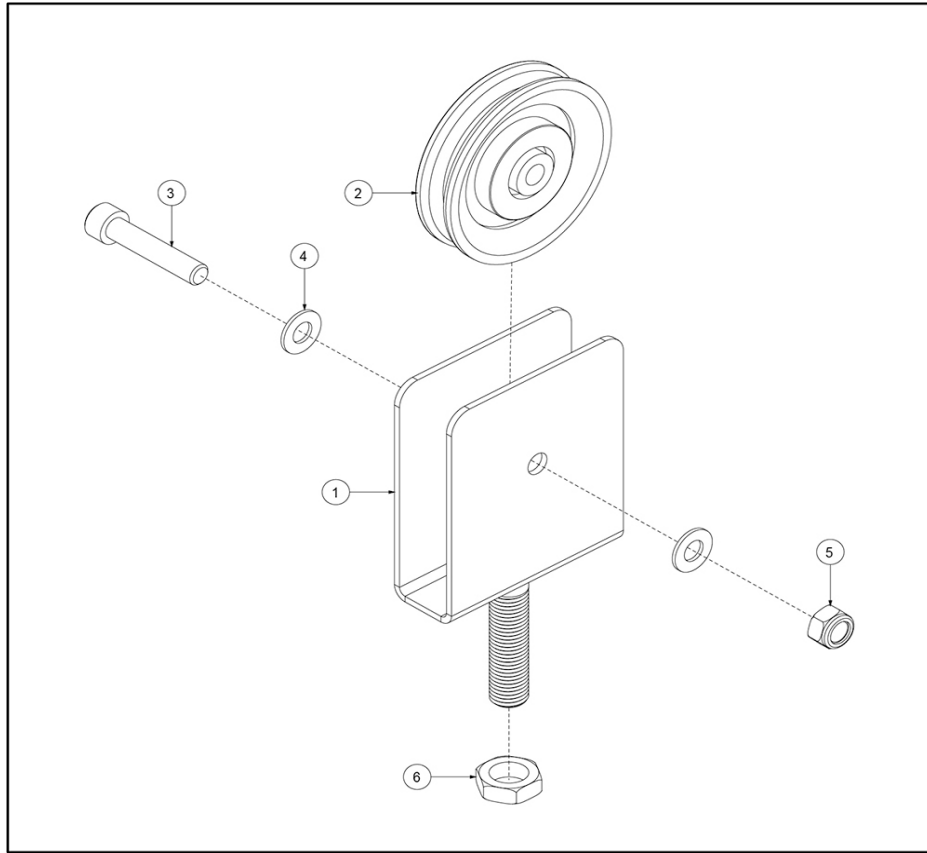


Ref #	Part Number	Qty	Description
1	1011243-0004	1	SHAFT: SELECTOR, 16 PLATE
2	3236201	4	M10 X 1.5 X 20 SHCS, LOW HEAD
3	9427401	1	HEADPLATE, WT. STACK, 10LB
4	1011240-0001	2	BUSHING ASSY: HEADPLATE, LONG, 3/4"
5	3236001	1	BUSHING, SPRING PIN
6	1003679-0003	1	ASSY, WGT STK SEL PIN -YEL
7	1006707-0001	1	DIE CUT: 7.5LB INC WEIGHT, NYLON SHEET, 0.020"
8	1007806-0001	1	HSNG, 7.5LB INC WEIGHT
9	1008675-0001	1	HANDLE: 7.5LB INC WT, PLASTIC
10	1011242-0001	2	RETAINING RING: EXTERNAL, TYPE NA1, 1-1/4"
11	1012947-0004	1	ASSEMBLY: HEADPLATE, OP, 16

\*\* Upholstery and Frame Colors are list at the end of the Parts Manual \*\*



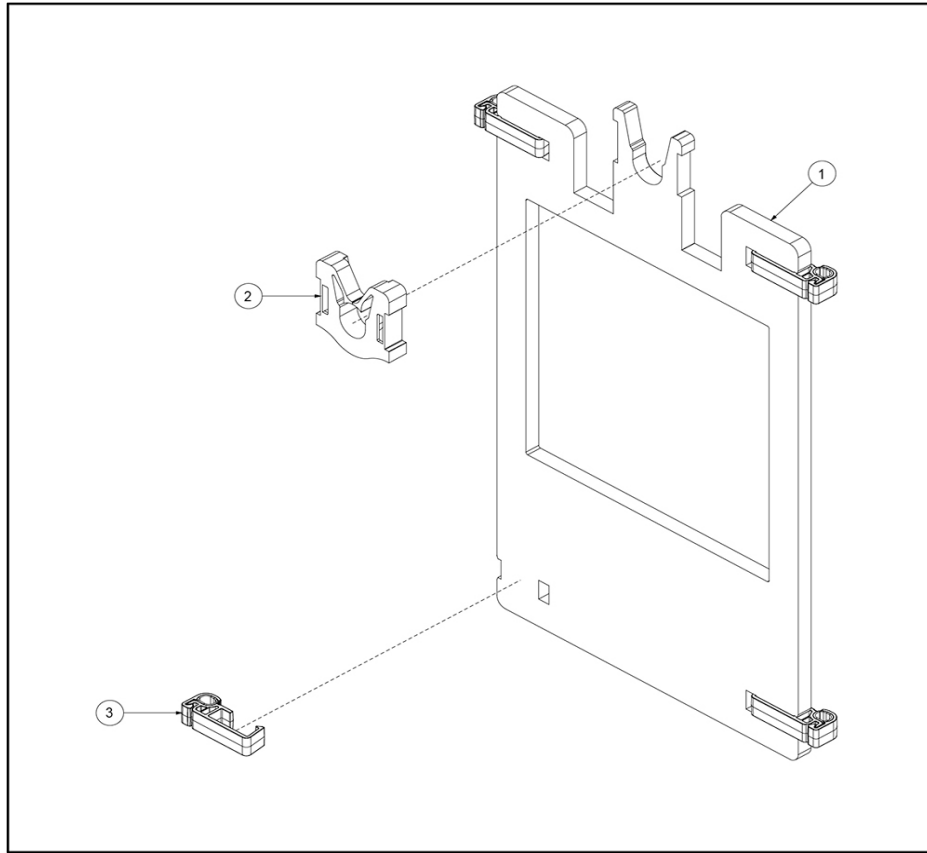
# OP-FLY Head Plate Pulley Assembly



Ref #	Part Number	Qty	Description
1	8861728	1	WLDMT, OSDAP, HEAD PLATE PULLEY -CHR
2	3245702	1	PULLEY, 3.5IN OD, 10MM ID
3	3251707	1	M10 X 1.5 X 50 HXS SOC CS ST ZN
4	3102514	2	WASHER, FLAT 3/8 IN SAE ST ZN
5	3242002	1	NUT, M10 X 1.5 HEX NYLOCK
6	3236902	1	NUT, HEX JAM M16 X 2 SS

\*\* Upholstery and Frame Colors are list at the end of the Parts Manual \*\*

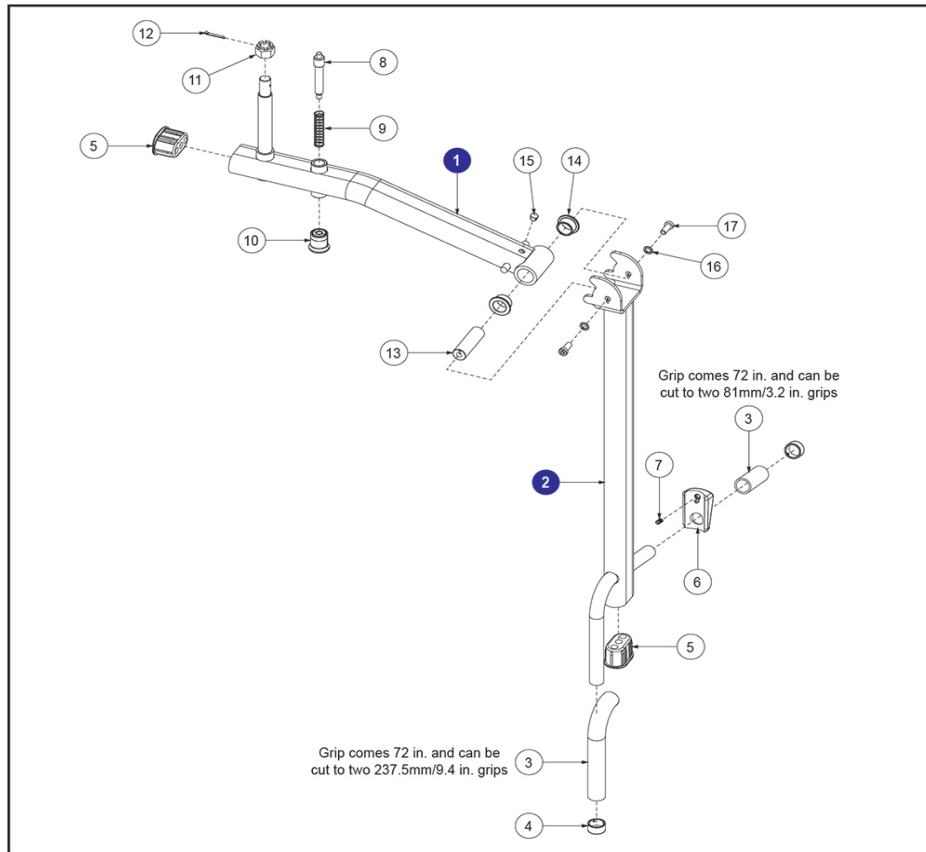
# OP-FLY Increment Weight Assembly - 16 Plate



Ref #	Part Number	Qty	Description
1	1012315-4028	1	PLATE: INCR. WEIGHT, 7.5LBS, 16 PLATE - CHR
2	1008566-0001	1	GUARD: INCREMENT WEIGHT, 0.375
3	1010805-0001	4	GUIDE ROD ASSY: INCR WT, 3/8", CHARCOAL GRAY

\*\* Upholstery and Frame Colors are list at the end of the Parts Manual \*\*

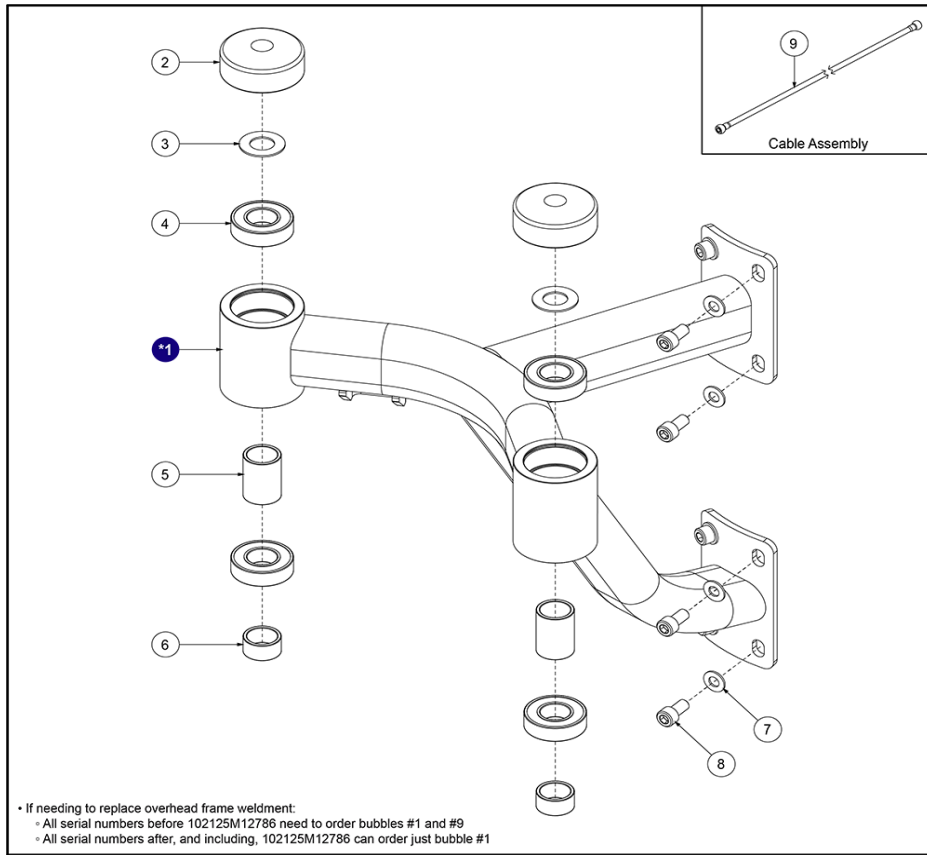
# OP-FLY Left Work Arm Assembly



Ref #	Part Number	Qty	Description
1	1013995-0099	1	WELDMNT: WORK ARM, UPPER, OP-FLY Custom
2	1013997-0099	1	WELDMNT: WORK ARM, LOWER, LH, OP-FLY Custom
3	3235806	2	GRIP, 1.25 OD X .125 WALL OPEN END
4	7662901	2	CAP; GRIP 1.25 OD
5	7800502	2	CAP, SML FLOV END -CHR
6	9443101	1	BUMPER, SS-FLY HANDLE
7	9488801	1	CLIP, CHRISTMAS TREE
8	7425103	1	PIN, PULL X 4.250
9	7351501	1	SPRING; PULL PIN LARGE
10	9454703	1	KNOB, ADJ
11	3271101	1	CASTLE NUT, 20 X 1.5 ZINC PLATED
12	3271202	1	COTTERPIN, 5/32 X 1.5 IN. HAMMERLOCK ZP
13	7324901	1	SHAFT, TAPPED 1 DIA X 3.330
14	3104903	2	BRNG, FLANGE 1.00 ID X 1.25 OD
15	3237405	1	PLUG, 7/16 IN HOLE
16	3239503	2	WSH, 391-.682-036 IN-D ST ZN
17	3236202	2	M10 X 1.5 X 25 SHCS, LOW HEAD

\*\* Upholstery and Frame Colors are list at the end of the Parts Manual \*\*

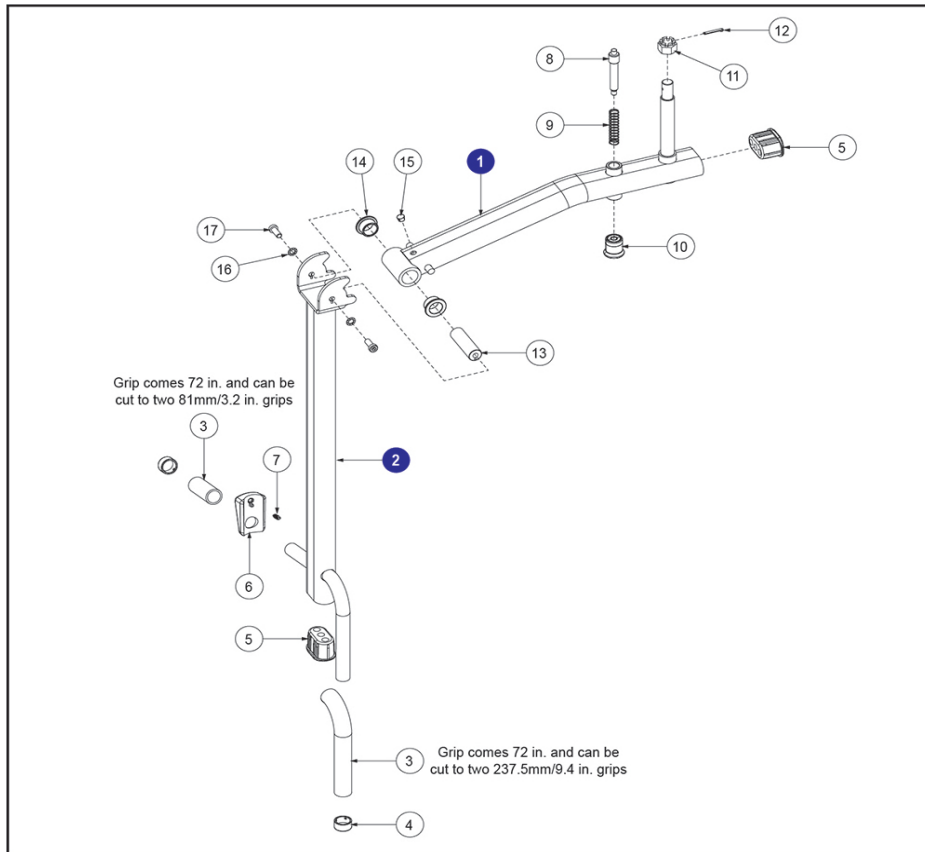
# OP-FLY Overhead Frame Assembly



Ref #	Part Number	Qty	Description
1	1019168-0000	1	WELDMENT: OVERHEAD FRAME, OP-FLY, Custom
2	8896002	2	CAP, FZFRD THREADED
3	7351001	2	SPACER, INC WT STACK
4	3235601	4	BEARING, 6205 BALL
5	7330006	2	SPACER, INTERNAL X 1.765
6	7330002	2	SPACER, INTERNAL X .653
7	3102514	8	WASHER, FLAT 3/8 IN SAE ST ZN
8	3251701	8	M10 X 1.5 20 HXS SOC CS ST ZN
9	1019172-0001	1	ASSEMBLY: CABLE, T2, 3/16" OD

\*\* Upholstery and Frame Colors are list at the end of the Parts Manual \*\*

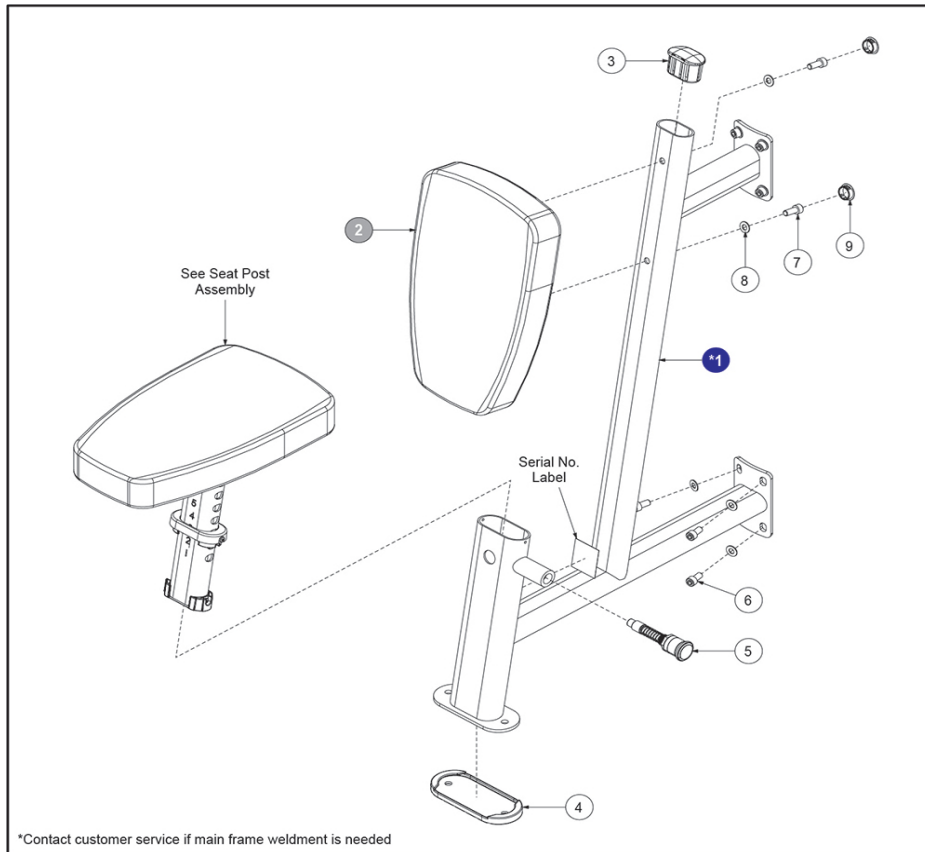
# OP-FLY Right Work Arm Assembly



Ref #	Part Number	Qty	Description
1	1013995-0099	1	WELDMENT: WORK ARM, UPPER, OP-FLY Custom
2	1014001-0099	1	ASSEMBLY: WORK ARM, LOWER, RH, OP-FLY Custom
3	3235806	2	GRIP, 1.25 OD X .125 WALL OPEN END
4	7662901	2	CAP; GRIP 1.25 OD
5	7800502	2	CAP, SML FLOV END -CHR
6	9443101	1	BUMPER, SS-FLY HANDLE
7	9488801	1	CLIP, CHRISTMAS TREE
8	7425103	1	PIN, PULL X 4.250
9	7351501	1	SPRING; PULL PIN LARGE
10	9454703	1	KNOB, ADJ
11	3271101	1	CASTLE NUT, 20 X 1.5 ZINC PLATED
12	3271202	1	COTTERPIN, 5/32 X 1.5 IN. HAMMERLOCK ZP
13	7324901	1	SHAFT, TAPPED 1 DIA X 3.330
14	3104903	2	BRNG, FLANGE 1.00 ID X 1.25 OD
15	3237405	1	PLUG, 7/16 IN HOLE
16	3239503	2	WSH, 391-.682-036 IN-D ST ZN
17	3236202	2	M10 X 1.5 X 25 SHCS, LOW HEAD

\*\* Upholstery and Frame Colors are list at the end of the Parts Manual \*\*

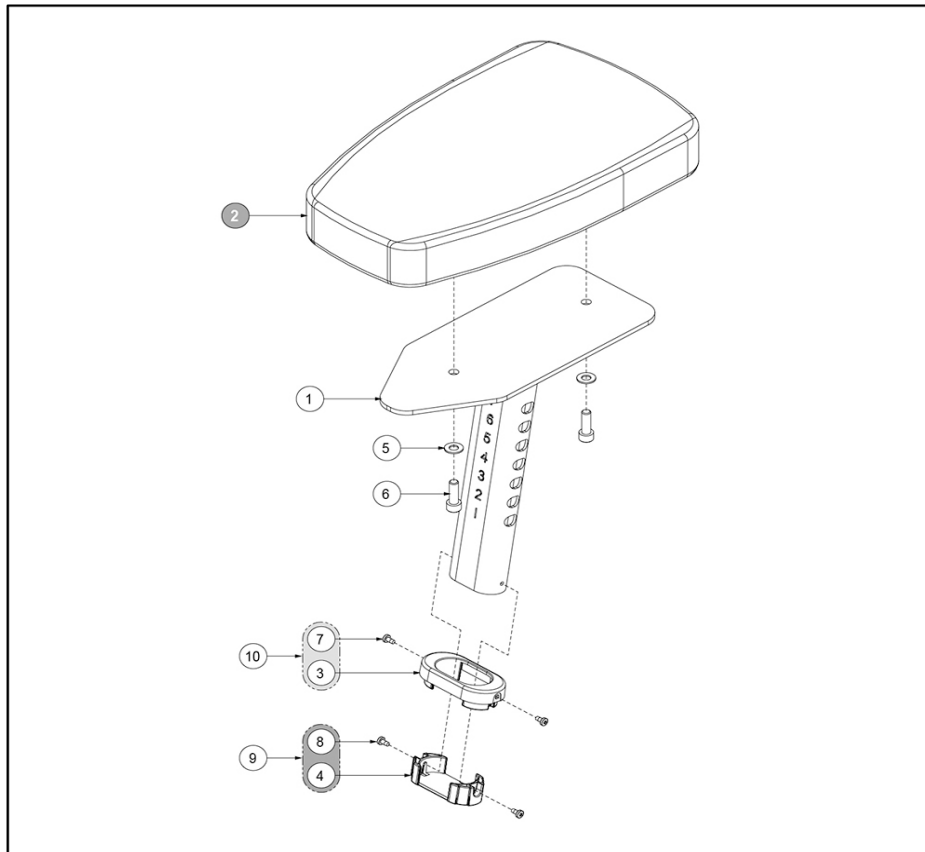
# OP-FLY Seat Frame Assembly



Ref #	Part Number	Qty	Description
1	1013972-0099	1	WELDMENT: SEAT FRAME, OP-FLY, Custom
2	1014030-0199	1	PAD: TAPERED SEAT, FLAT -DOUBLE STITCH Custom
2	1014030-0099	1	PAD: TAPERED SEAT, FLAT -SINGLE STITCH Custom
3	7800502	1	CAP, SML FLOV END -CHR
4	8474502	1	FOOT, OPTIMA -BLK
5	1012642-0001	1	ASSY, OP, SPRING PIN
6	3251701	4	M10 X 1.5 20 HXS SOC CS ST ZN
7	LEA3251702	2	SCREW; M10 X1.5 25MM
8	3102514	6	WASHER, FLAT 3/8 IN SAE ST ZN
9	3237407	2	PLUG, 1 IN HOLE

\*\* Upholstery and Frame Colors are list at the end of the Parts Manual \*\*

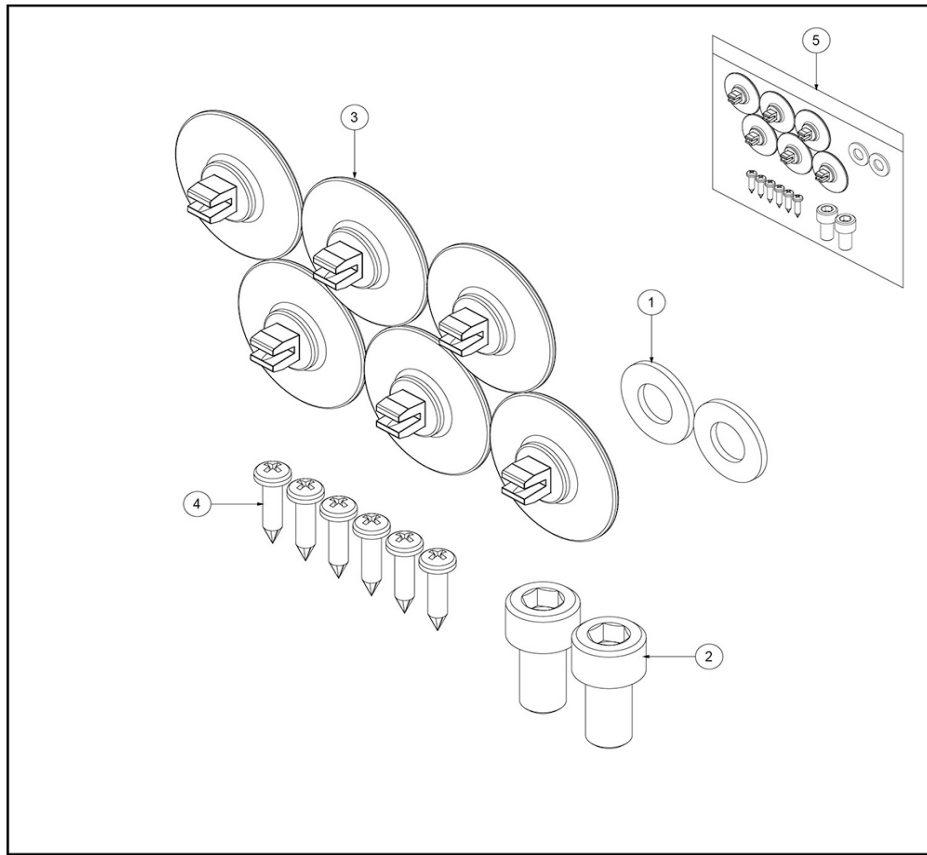
# OP-FLY Seat Post Assembly



Ref #	Part Number	Qty	Description
1	1014017-0001	1	WELDMENT: SADDLE, OP-FLY
2	1014030-0199	1	PAD: TAPERED SEAT, FLAT -DOUBLE STITCH Custom
2	1014030-0099	1	PAD: TAPERED SEAT, FLAT -SINGLE STITCH Custom
3	8624102	1	BUSHING, SEAT GLIDE EXT.
4	8624202	1	BUSHING, SEAT GLIDE INT, CG
5	3102514	4	WASHER, FLAT 3/8 IN SAE ST ZN
6	LEA3251702	4	SCREW; M10 X1.5 25MM
7	3239101	2	SCREW,M5 X .8 X 10 PHL PAN TT ST BZ
8	3270601	2	SCREW, #10-32 X 3/8 TRX PAN ST BZ
9	1014564-0001	1	KIT: GLIDE BUSHING, INTERNAL, CG
10	1014563-0001	1	KIT: GLIDE BUSHING, EXTERNAL, CG

\*\* Upholstery and Frame Colors are list at the end of the Parts Manual \*\*

**OP-FLY Shroud Hardware Pack**

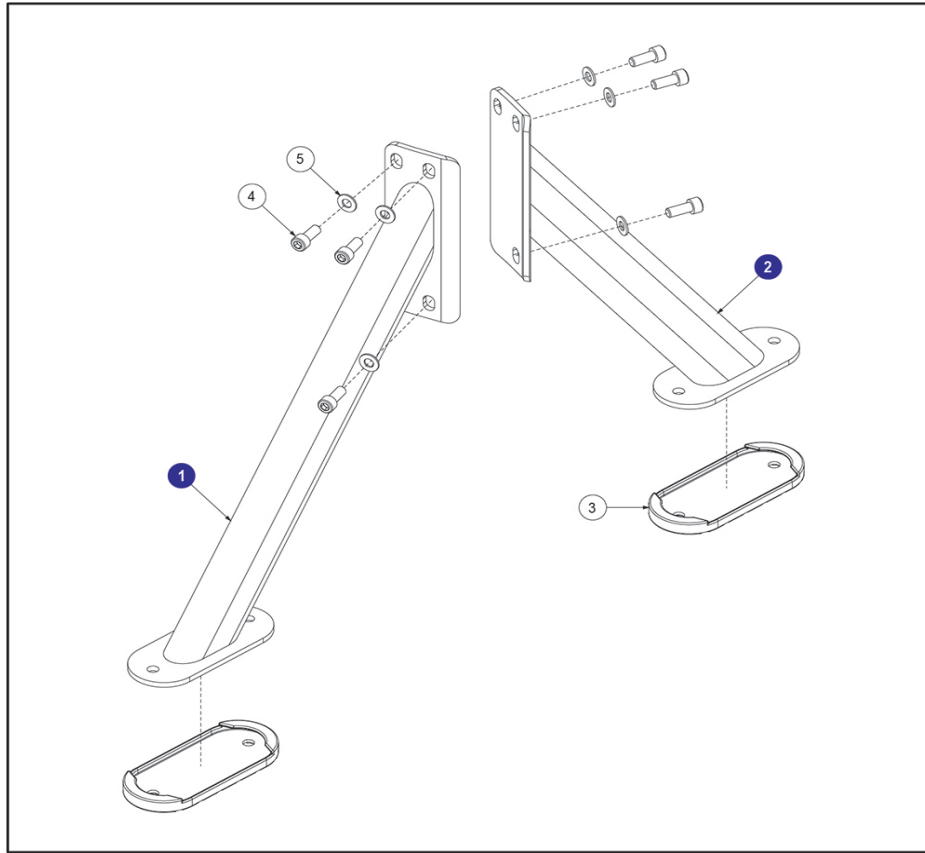


Ref #	Part Number	Qty	Description
1	3102514	2	WASHER, FLAT 3/8 IN SAE ST ZN
2	3251701	2	M10 X 1.5 20 HXS SOC CS ST ZN
3	1012251-0001	6	GROMMET: RETAINER, SHROUD
4	3275801	6	SCREW, 8 X 3/4 DIN PHL PAN AB ST ZB
5	1012951-0001	1	ASSEMBLY: HARDWARE, KIT, SHROUD, OP

\*\* Upholstery and Frame Colors are list at the end of the Parts Manual \*\*



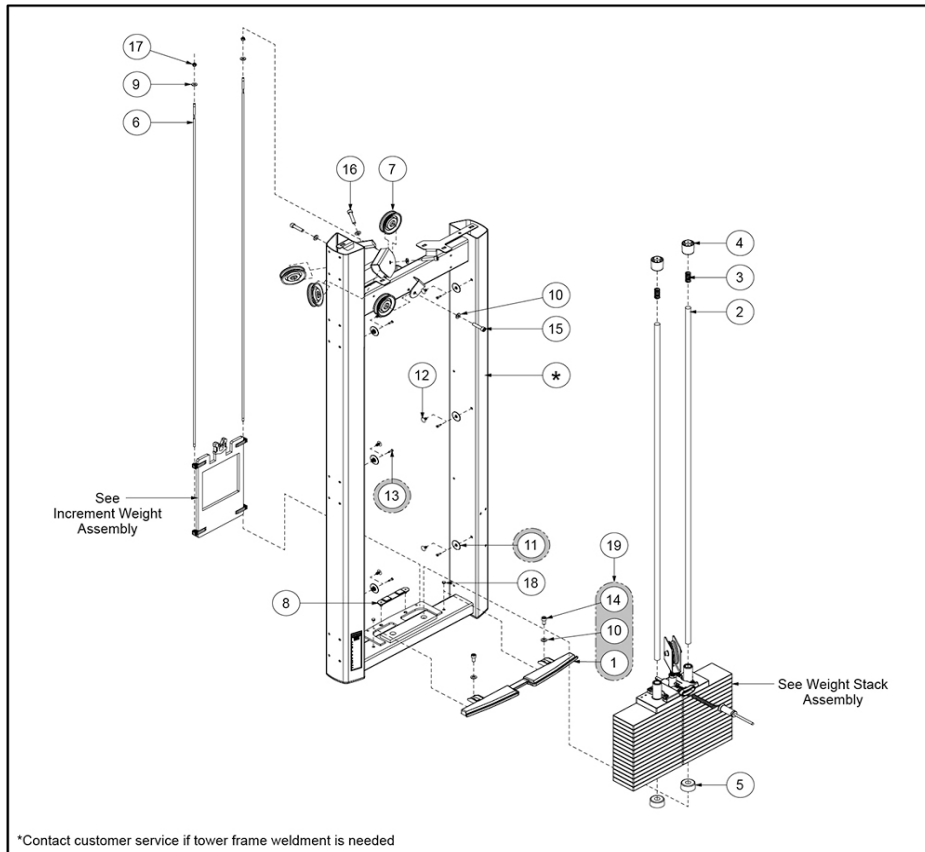
## OP-FLY Stability Leg Assemblies



Ref #	Part Number	Qty	Description
1	1013989-0099	1	WELDMENT: STABILITY LEG, TRAP, LH, Custom
2	1013992-0099	1	WELDMENT: STABILITY LEG, TRAP, RH, Custom
3	8474502	2	FOOT, OPTIMA -BLK
4	LEA3251702	6	SCREW; M10 X1.5 25MM
5	3102514	6	WASHER, FLAT 3/8 IN SAE ST ZN

\*\* Upholstery and Frame Colors are list at the end of the Parts Manual \*\*

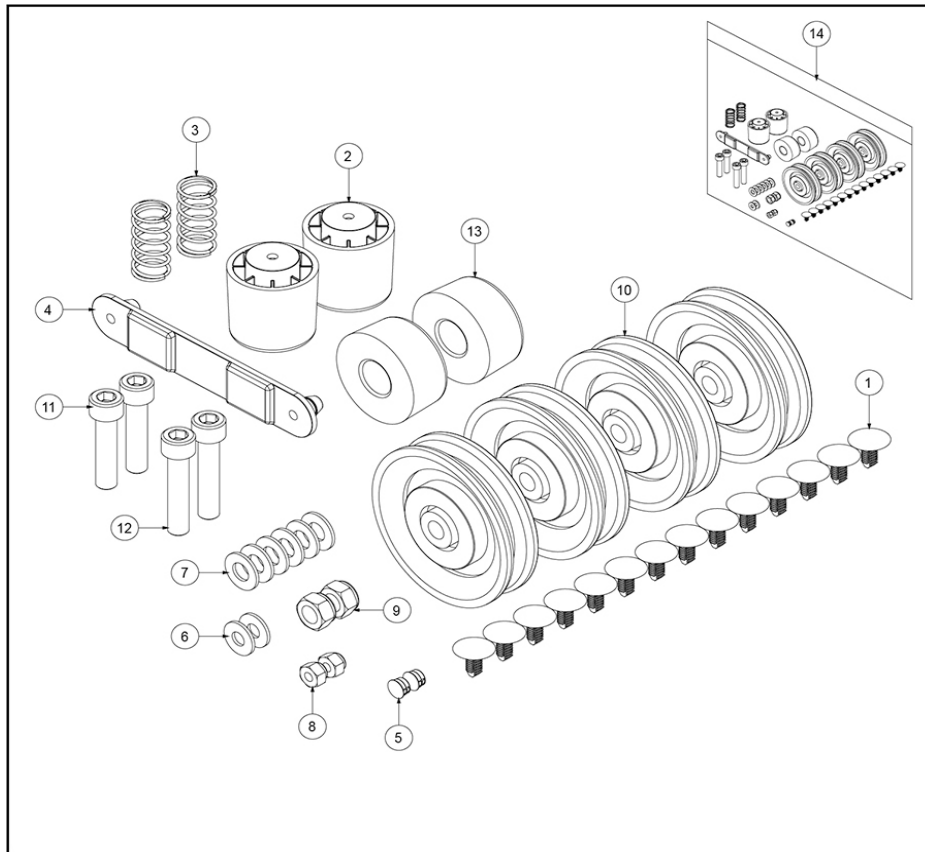
# OP-FLY Tower Assembly



Ref #	Part Number	Qty	Description
1	1012110-0001	1	CAP: BOTTOM, TWR, OP
2	7328627	2	GUIDE ROD, .75 OD SOLID X 61.54
3	1011496-0001	2	SPRING: 0.72IN OD, 0.596IN ID, 1.50IN LG
4	1011495-0001	2	HOUSING: GUIDE ROD, OP
5	7352101	2	CUSHION, WEIGHT STACK
6	1008192-0005	2	GUIDE ROD: 0.25 OD SOLID, 62.95
7	3245702	4	PULLEY, 3.5IN OD, 10MM ID
8	1011601-0001	1	BUMPER: INCR. SYSTEM, OP
9	3102506	2	WASHER, FLAT 1/4 ID ZN
10	3102514	6	WASHER, FLAT 3/8 IN SAE ST ZN
11	1012251-0001	4	GROMMET: RETAINER, SHROUD
12	1006620-0001	4	RETAINER: PANEL, 9/32 X 1/2 NYL
13	3275801	4	SCREW, 8 X 3/4 DIN PHL PAN AB ST ZB
14	3251701	2	M10 X 1.5 20 HXS SOC CS ST ZN
15	LEA3251706	2	SCREW; M10 X1.5 45MM
16	3251707	2	M10 X 1.5 X 50 HXS SOC CS ST ZN
17	3102806	2	NUT, NYLOCK 1/4-20
18	1012319-0001	2	PLUG: 8.7MM OD, BLK
19	1015742-0001	1	KIT: FRONT SHROUDS, OP, TALL

\*\* Upholstery and Frame Colors are list at the end of the Parts Manual \*\*

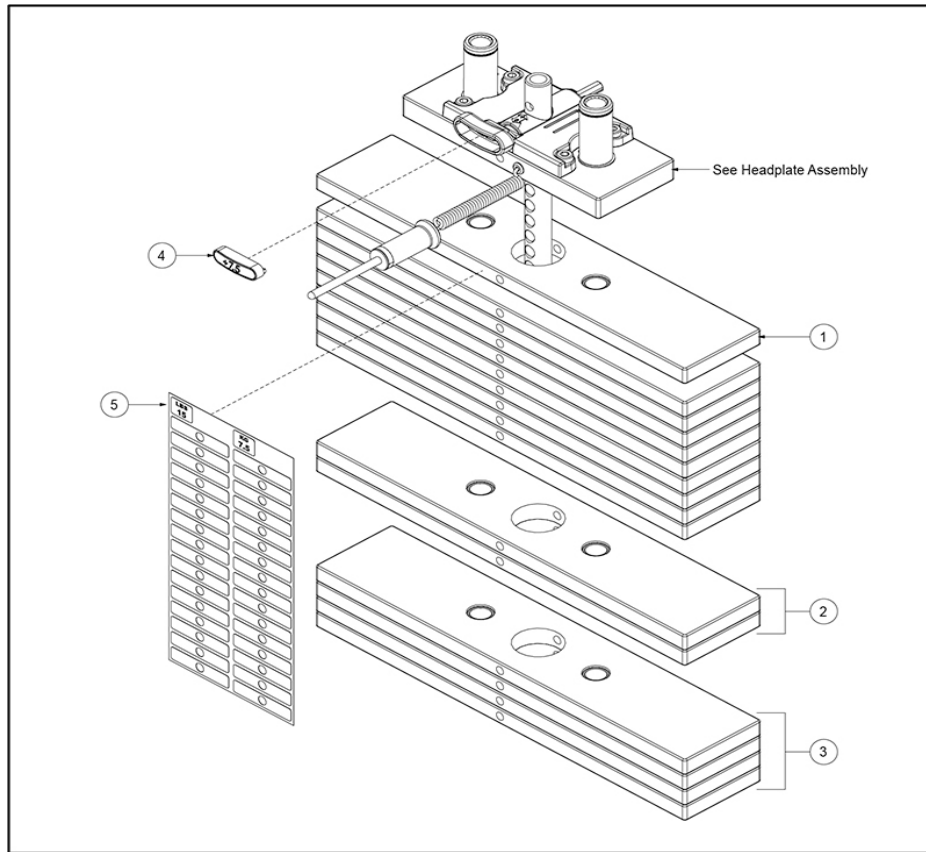
# OP-FLY Tower Hardware Pack



Ref #	Part Number	Qty	Description
1	1006620-0001	14	RETAINER: PANEL, 9/32 X 1/2 NYL
2	1011495-0001	2	HOUSING: GUIDE ROD, OP
3	1011496-0001	2	SPRING: 0.72IN OD, 0.596IN ID, 1.50IN LG
4	1011601-0001	1	BUMPER: INCR. SYSTEM, OP
5	1012319-0001	2	PLUG: 8.7MM OD, BLK
6	3102506	2	WASHER, FLAT 1/4 ID ZN
7	3102514	6	WASHER, FLAT 3/8 IN SAE ST ZN
8	3102806	2	NUT, NYLOCK 1/4-20
9	3242002	2	NUT, M10 X 1.5 HEX NYLOCK
10	3245702	4	PULLEY, 3.5IN OD, 10MM ID
11	LEA3251706	2	SCREW; M10 X1.5 45MM
12	3251707	2	M10 X 1.5 X 50 HXS SOC CS ST ZN
13	7352101	2	CUSHION, WEIGHT STACK
14	0017-00042-1147	1	GROMMET: SCREW, 8 OR 10
15	3275801	1	SCREW, 8 X 3/4 DIN PHL PAN AB ST ZB
16	1015738-0001	1	ASSEMBLY: HARDWARE, TWR, OP-FLY

\*\* Upholstery and Frame Colors are list at the end of the Parts Manual \*\*

# OP-FLY Weight Stack Assembly - 16 Plate




Ref #	Part Number	Qty	Description
1	1014560-0001	16	KIT: WEIGHT PLATE, OP, 1 PLATE
2	1014560-0002	8	KIT: WEIGHT PLATE, OP, 2 PLATE
3	1014560-0004	4	KIT: WEIGHT PLATE, OP, 4 PLATE
4	1006750-0001	1	CAP, 7.5 LB INC WEIGHT - LBS
4	1006751-0001	1	CAP: 3.75 KG INC WEIGHT - KG
5	1013156-0001	1	DECAL: WGT STK, 255LB/127.5KG

\*\* Upholstery and Frame Colors are list at the end of the Parts Manual \*\*

# Frame and Upholstery Color Chart

FRAME COLOR OPTION SELECT POWDERCOAT COLOR	UPHOLSTERY COLOR OPTION SELECT UPHOLSTERY COLOR
<input type="checkbox"/> BLACK	<input type="checkbox"/> AMERICAN BEAUTY RED
<input type="checkbox"/> BLUE	<input type="checkbox"/> AZURE
<input type="checkbox"/> CANDY APPLE RED	<input type="checkbox"/> BLACK
<input type="checkbox"/> CHARCOAL	<input type="checkbox"/> BLACK CARBON FIBER
<input type="checkbox"/> DIAMOND WHITE CLEAR	<input type="checkbox"/> BURGUNDY
<input type="checkbox"/> ELECTRIC BLUE	<input type="checkbox"/> CANDY APPLE RED
<input type="checkbox"/> ICE BLUE METALLIC CLEAR	<input type="checkbox"/> CHESTNUT
<input type="checkbox"/> MIDNIGHT METALLIC CLEAR	<input type="checkbox"/> CONCORD
<input type="checkbox"/> MOCHA SAND	<input type="checkbox"/> CRANBERRY
<input type="checkbox"/> PLATINUM CLEAR	<input type="checkbox"/> DARK WALNUT
<input type="checkbox"/> RED	<input type="checkbox"/> DOVE GRAY
<input type="checkbox"/> TITANIUM CLEAR	<input type="checkbox"/> EMERALD
<input type="checkbox"/> WHITE	<input type="checkbox"/> GRAPHITE
<input type="checkbox"/> YELLOW	<input type="checkbox"/> GROTTA
	<input type="checkbox"/> HUNTER GREEN
	<input type="checkbox"/> IMPERIAL BLUE
	<input type="checkbox"/> NAVY
	<input type="checkbox"/> REGIMENTAL BLUE
	<input type="checkbox"/> ROYAL BLUE
	<input type="checkbox"/> SLATE
	<input type="checkbox"/> SUEDE
	<input type="checkbox"/> TERRA COTTA
	<input type="checkbox"/> WHEAT

- Items call-outs circled by a dashed circle, , are part of an assembly.

- Items identified with a "•" are not available. Order the assembly if item is needed.

- Items that are not referenced with a bubble number and part number are not available.

**UPHOLSTERY** 1 2 3

- Items with Gray call-outs require the upholstery color within the order notes.

**FRAME COLOR** 1 2 3

- Items with Blue call-outs require the powder coat frame color to be within the order notes.

